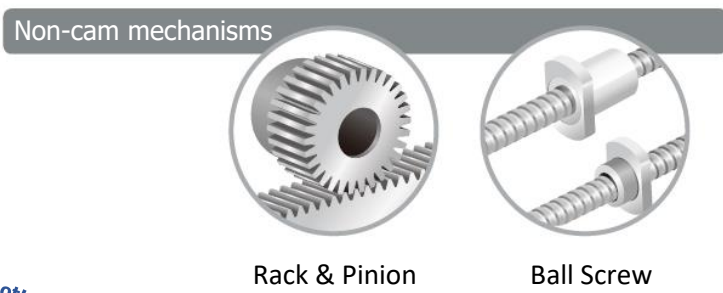
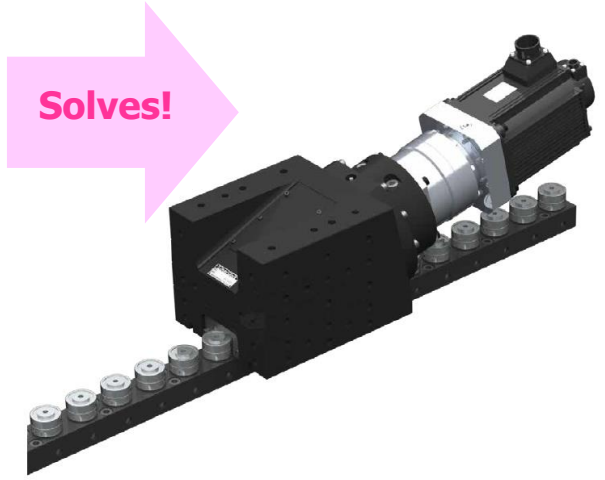




## Long Stroke Linear Drive Unit!

### "Do you have any problems?"

- 1 Carry **heavy weight products** to more **convenient**.
- 2 High **accuracy** to **increase** production.
- 3 **Compact size** reduces space for installation.



\*Necessary Linear guide support

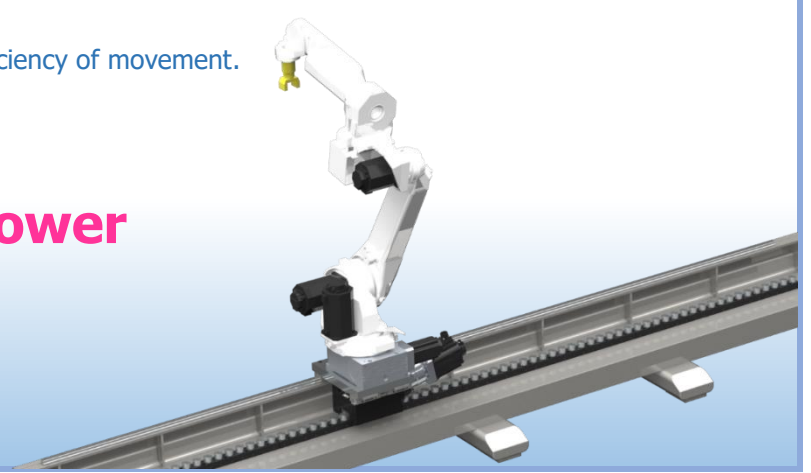
Troubleshoot!

## 1

Roller gear cam mechanism enabling the efficiency of movement.

### Long Stroke High-speed, High-power

Can be useable for sliders with  
Robot Welding & Robot Handling

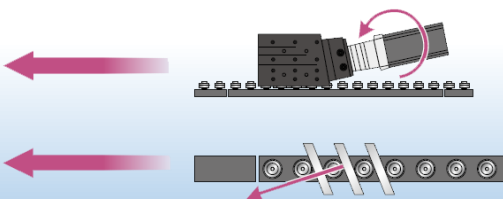


Troubleshoot!

## 2

Excellent acceleration and deceleration as well by Roller gear cam.

### Reducing Cycle time Increase Capacity



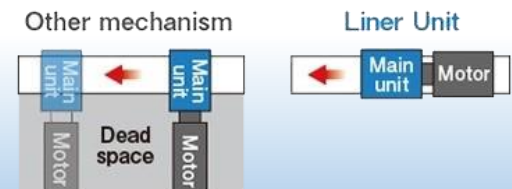
Accel/decel time **reduced 50%** compared with Rack & Pinion.

Troubleshoot!

## 3

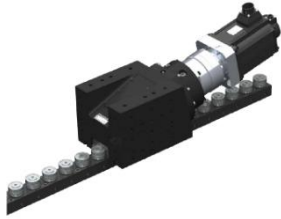

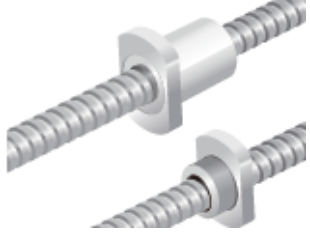
Save installation space.  
Can recover dead space layout.

### Reducing less space Compact dimension

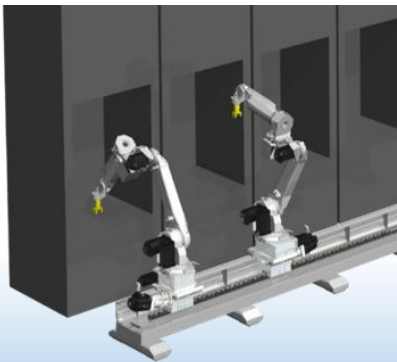


Uses less space **reduced 50%** compared with Rack & Pinion.

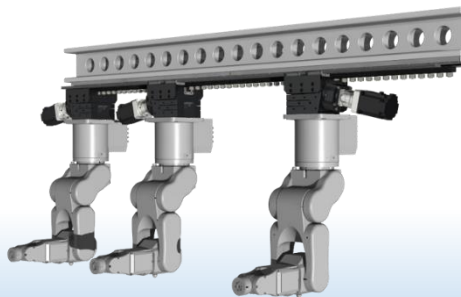
# Product comparison

	Liner Unit	Rack & Pinion	Ball Screw
<b>Mechanism</b>			
<b>Speed</b>	◎ Sankyo Roller Gear Cam enables precise positioning at high speed, quick acceleration and deceleration.	○ Moment of inertia would be larger at quick acceleration and deceleration.	△ Because of the friction between ball & screw, it is not suitable using at high speed.
<b>Compact</b>	○ Additional space is not required for motor.	△ Additional space is required for motor.	◎ Additional space is not required for motor.
<b>Stroke</b>	◎ Extendable rail enables long stroke use.	○ Usable in long stroke, but assembling & adjustment is required.	△ It is not appropriate to use in long stroke as the shaft could jump.
<b>Control</b>	○ Multi units can be installed on the same rail.	○ Multi units can be installed on the same rail.	△ Multi units cannot be installed on the same shaft.
<b>Repeatability</b>	◎ Roller gear cam enables precise repeatability ±20µm.	△ Backlash make precise positioning difficult.	◎ Precise positioning is possible.
<b>Noise</b>	◎ Rolling contact enable make less noise.	△ Loud noise is made at high speed operation.	○ Loud noise is made at high speed operation.
<b>Maintenance</b>	◎ Rolling contacts make parts less likely to wear. Add lube oil sometimes.	○ Sliding contacts make parts wear. Lube oil has to be supplied frequently.	△ Oil has to be supplied frequently depend on the circumstances.

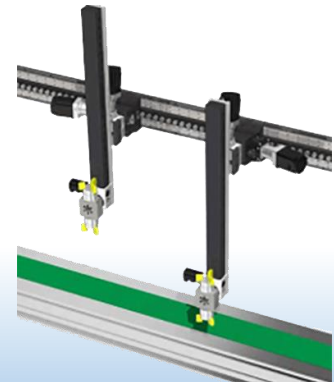
## Applications



Workpiece transfer



Robot conveyance



Gantry loader

Sankyo Works (Thailand) Co., Ltd.

9/31 Moo 5, Phaholyotin Road, Klongnueng,  
Klong Luang, Patumthani 12120 Thailand  
Phone: +66-(0)2-516-5355-6  
Email: sales@sankyo-works.co.th  
<https://www.sankyoworksth.com>



Sankyo Works Thailand  
Web